

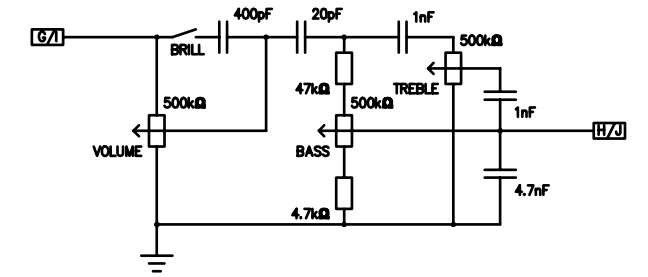
ECC83

ECC81

ECC83

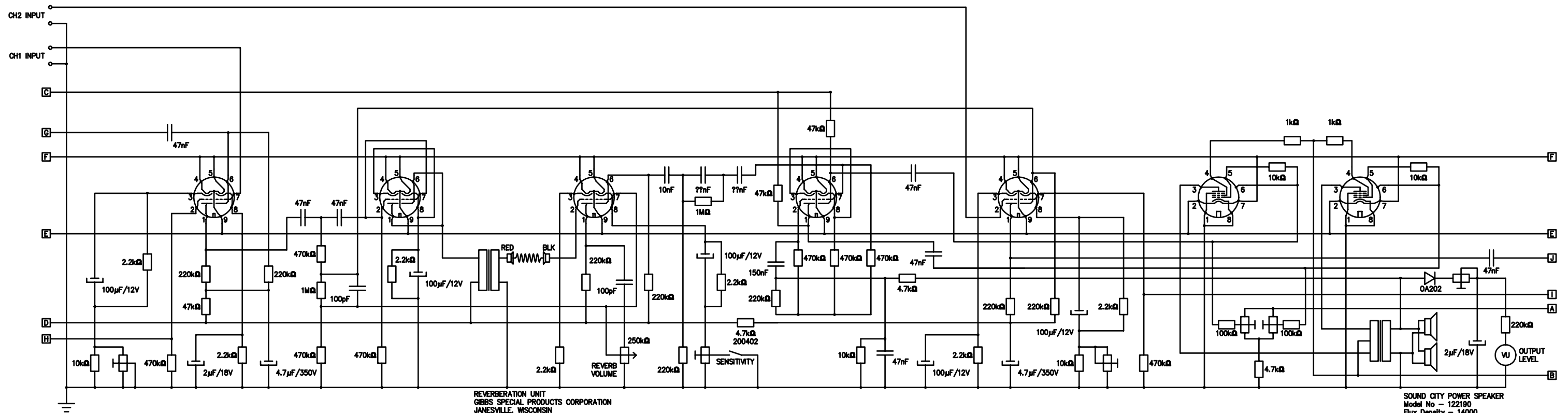
ECC81

ECC83



EL34

EL34



REVERBERATION UNIT
GIBBS SPECIAL PRODUCTS CORPORATION
JANESVILLE, WISCONSIN
SUBSIDIARY OF HAMMOND CORPORATION

SOUND CITY POWER SPEAKER
Model No - 122190
Flux Density - 14000
Power Handling - 40
Impedance - 15
Serial No - .